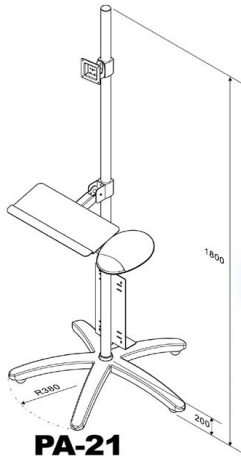
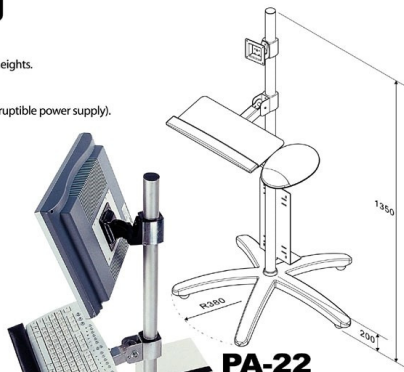


Mobile Computing Workstation Cart

- Accommodates sitting & standing users and matches different user heights.
- Mouse support tray can be attached to the right or left hand side.
- 3 stop wheels.
- Safety belt adjusts for different sizes of CPU holders and UPS (uninterruptible power supply).
- Comfortable design of tilting keyboard arm.
- Material : aluminum alloy which has a neat and artistic appearance.
- Meets VESA mounting position : 75 x 75 mm & 100 x 100 mm.
- Pivots of the monitor upwards to 10°~and downwards to 25°~.



PA-21



PA-22



PA-21A



PA-22A

LA-81/82 Gas Spring in side Gas Spring Arm

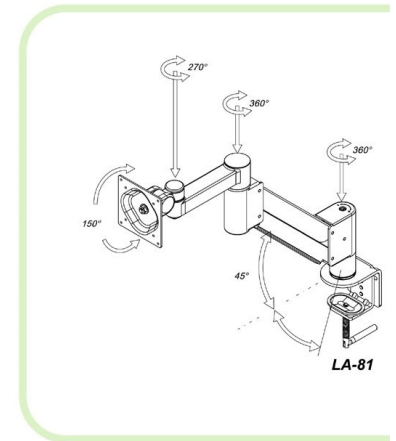
Capa
3-7
6.6-15

New Product!

- Built-in Gas Spring design is very simple to move as high as 631.5mm, which makes a Monitor stop at wherever you want it to be.
- Effortlessly float your LCD monitor weighing 3~7 kgs (6.6~15.4 lbs).
- Included wall mounting kit and clamp.
- Allows many users to sit or stand & comfortably view display.
- Meet VESA Standard 75x75mm and 100x100mm.



Clamp



LA-81

LCD Monitor Workstation
Hospital, Industrial, Super Market.